

UnitBUA Table for Block :A (RESI)

FLOOR	Name	UnitBUA Type	UnitBUA Area	Carpet Area	No. of Rooms	No. of Tenement
GROUND FLOOR PLAN	SPLIT 1	FLAT	56.44	51.72	6	2
TYPICAL - 1	SPLIT 2	FLAT	57.81	53.01	6	2
2 FLOOR PLAN	SPLIT 3,4	FLAT	115.50	108.06	12	2
Total	-	-	345.25	320.85	36	4

Block USE/SUBUSE Details

Block Name	Block Use	Block SubUse	Block Structure	Block Land Use Category
A (RESI)	Residential	Plotted Resi development	Blgd upto 11.5 mt. Ht.	R

Required Parking (Table 7a)

Block Name	Type	SubUse	Area (Sq.mt.)	Reqd. Units	Prop.	Reqd./Unit	Car Reqd.	Prop.
A (RESI)	Residential	Plotted Resi development	50 - 225	1	-	1	4	-
Total	-	-	-	-	-	-	4	4

Parking Check (Table 7b)

Vehicle Type	Reqd.		Achieved	
	No.	Area (Sq.mt.)	No.	Area (Sq.mt.)
Car	4	55.00	4	55.00
Total Car	4	55.00	4	55.00
TwoWheeler	-	13.75	0	0.00
Other Parking	-	-	-	82.15
Total	-	68.75	-	137.15

FAR & Tenement Details

Block	No. of Same Bldg	Total Built Up Area (Sq.mt.)	Deductions (Area in Sq.mt.)					Proposed FAR Area (Sq.mt.)	Total FAR Area (Sq.mt.)	Tmnt (No.)
			StairCase	Lift	Lift Machine	Void	Parking			
A (RESI)	1	596.59	13.70	9.00	2.25	58.74	137.15	369.99	375.75	04
Grand Total:	1	596.59	13.70	9.00	2.25	58.74	137.15	369.99	375.75	4.00

Approval Condition :
This Plan Sanction is issued subject to the following conditions :

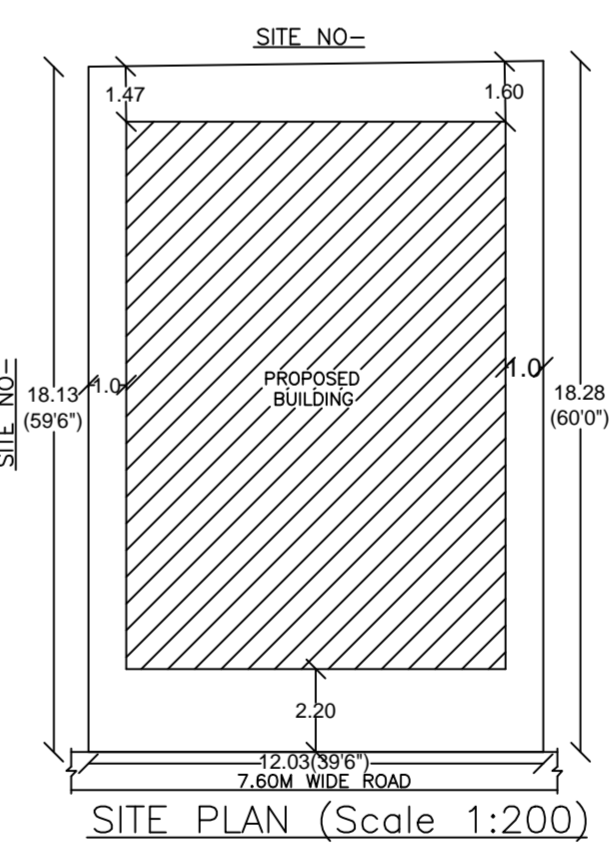
- Sanction is accorded for the Residential Building at 2, 1ST CROSS, WHEELER ROAD, PULAKESHINAGAR, BANGALORE.
- Consist of 1st + 1 Ground + 2 only.
- Sanction is accorded for Residential use only. The use of the building shall not be deviated to any other use.
- 13.15 area reserved for car parking shall not be converted for any other purpose.
- Development charges towards increasing the capacity of water supply, sanitary and power main has to be paid to BWSSB and BESCOM if any.
- Necessary ducts for running telephone cables, cubicles at ground level for postal services & space for dumping garbage within the premises shall be provided.
- The applicant shall INSURE all workmen involved in the construction work against any accident / untoward incidents arising during the time of construction.
- The applicant shall not stock any building materials / debris on footpath or on roads or on drains.
- The debris shall be removed and transported to near by dumping yard.
- The applicant shall maintain during construction such barricading as considered necessary to prevent dust, debris & other materials endangering the safety of people / structures etc. in & around the site.
- The applicant shall plant at least two trees in the premises.
- Permission shall be obtained from forest department for cutting trees before the commencement of the work.
- License and approved plans shall be posted in a conspicuous place of the licensed premises. The building license and the copies of sanctioned plans with specifications shall be mounted on a frame and displayed and they shall be made available during inspections.
- If any owner / builder contravenes the provisions of Building Bye-laws and rules in force, the Architect / Engineer / Supervisor will be informed by the Authority in the first instance, warned in the second instance and cancel the registration if the same is repeated for the third time.
- Technical personnel, applicant or owner as the case may be shall strictly adhere to the duties and responsibilities specified in Schedule - IV (Bye-law No. 3.5) under sub section IV.8 (e) to (v).
- The building shall be constructed under the supervision of a registered structural engineer.
- If any owner / builder contravenes the provisions of Building Bye-laws and rules in force, the authority will inform the same to the concerned registered Architect / Engineers / Supervisor in the first instance, warn in the second instance and cancel the registration of the professional if the same is repeated for the third time.
- The Builder / Contractor / Professional responsible for supervision of work shall not shall not materially and structurally deviate the construction from the sanctioned plan, without previous approval of the authority. They shall explain to the owner s about the risk involved in contravention of the provisions of the Act, Rules, Bye-laws, Zoning Regulations, Standing Orders and Policy Orders of the BBMP.
- In case of any false information, misrepresentation of facts, or pending court cases, the plan sanction is deemed cancelled.

Special Condition as per Labour Department of Government of Karnataka vide ADDENDUM (HosadaagiHoodike) Letter No. LD/95/LET/2013, dated: 01-04-2013 :

- Registration of Applicant / Builder / Owner / Contractor and the construction workers working in the construction site with the "Karnataka Building and Other Construction workers Welfare Board" should be strictly adhered to.
- The Applicant / Builder / Owner / Contractor should submit the Registration of establishment and list of construction workers engaged at the time of issue of Commencement Certificate. A copy of the same shall also be submitted to the concerned local Engineer in order to inspect the establishment and ensure the registration of establishment and workers working at construction site or work place.
- The Applicant / Builder / Owner / Contractor shall also inform the changes if any of the list of workers engaged by him.
- At any point of time No Applicant / Builder / Owner / Contractor shall engage a construction worker in his site or work place who is not registered with the "Karnataka Building and Other Construction workers Welfare Board".

Note :

- Accommodation shall be provided for setting up of schools for imparting education to the children of construction workers in the labour camps / construction sites.
- List of children of workers shall be furnished by the builder / contractor to the Labour Department which is mandatory.
- Employment of child labour in the construction activities strictly prohibited.
- Obtaining NCC from the Labour Department before commencing the construction work is a must.
- BBMP will not be responsible for any dispute that may arise in respect of property in question.
- In case if the documents submitted in respect of property in question is found to be false or fabricated, the plan sanctioned stands cancelled automatically and legal action will be initiated.



COLOR INDEX

PLOT BOUNDARY	—
ABUTTING ROAD	—
PROPOSED WORK (COVERAGE AREA)	—
EXISTING (To be retained)	—
EXISTING (To be demolished)	—

N
SCALE : 1:100

AREA STATEMENT (BBMP)	VERSION NO. 1.0.11
Authority: BBMP	VERSION DATE: 01/11/2018
PROJECT DETAIL:	
Plot Use: Residential	
Inward No: BBMP/Ad.Com./EST/1443/19-20	Plot SubUse: Plotted Resi development
Application Type: Suvarna Parvangi	Land Use Zone: Residential (Main)
Plot/Sub Plot No.: 2	
Nature of Sanction: New	Khata No. (As per Khata Extract): 2
Location: Ring-II	Locality / Street of the property: 1ST CROSS, WHEELER ROAD, PULAKESHINAGAR, BANGALORE.
Building Line Specified as per Z.R: NA	
Zone: East	
Ward: Ward-078	
Planning District: 204-Benson Town	
AREA DETAILS:	
AREA OF PLOT (Minimum)	(A) 219.01
NET AREA OF PLOT	(A-Deductions) 219.01
COVERAGE CHECK	
Permissible Coverage area (75.00 %)	164.25
Proposed Coverage Area (66.28 %)	145.16
Achieved Net coverage area (66.28 %)	145.16
Balance coverage area left (8.72 %)	19.09
FAR CHECK	
Permissible F.A.R. as per zoning regulation 2015 (1.75)	383.26
Additional F.A.R within Ring I and II (for amalgamated plot -)	0.00
Allowable TDR Area (60% of Perm FAR)	0.00
Premium FAR for Plot within Impact Zone (-)	0.00
Total Perm. FAR area (1.75)	383.26
Residential FAR (98.47%)	370.00
Proposed FAR Area	375.76
Achieved Net FAR Area (1.72)	375.76
Balance FAR Area (0.03)	7.50
BUILT UP AREA CHECK	
Proposed BuiltUp Area	596.59
Achieved BuiltUp Area	596.59

Approval Date : 01/28/2020 6:35:05 PM

Payment Details

Sr No.	Challan Number	Receipt Number	Amount (INR)	Payment Mode	Transaction Number	Payment Date	Remark
1	BBMP/36122/CH/19-20	BBMP/36122/CH/19-20	4534	Online	9709289151	01/20/2020 10:26:36 PM	-
	No.	Head	Amount (INR)	Remark			
	1	Scrutiny Fee	4534	-			

The plans are approved in accordance with the acceptance for approval by the Assistant Director of town planning (EAST) on date: 28/01/2020 vide lp number: BBMP/Ad.Com./EST/1443/19-20 subject to terms and conditions laid down along with this building plan approval.

Validity of this approval is two years from the date of issue.

Name: ATIF MOHAMED H B
Designation: Assistant Director Town Planning (ADTP)
Organization: BRUHAT BANGALORE MAHANAGARA PALIKE.
Date: 14-May-2020 16: 16:49

ASSISTANT DIRECTOR OF TOWN PLANNING (EAST)

BRUHAT BENGALURU MAHANAGARA PALIKE

OWNER / GPA HOLDER'S SIGNATURE

OWNER'S ADDRESS WITH ID NUMBER & CONTACT NUMBER :
Mr. VINOD. R. MOHINANI. (Mr. RAMESH. R. MOHINANI. (GPA HOLDER) NO-2, 1ST CROSS, WHEELER ROAD, PULAKESHINAGAR

R.R. Mohinani

ARCHITECT/ENGINEER /SUPERVISOR 'S SIGNATURE
Rajashekhara Narayana Kakaraddi #4/1 2nd e main Bhopasandra new layout , Sanjaynagar BCC/BL-3.6/E-2881/2006-07

R. Kakaraddi

PROJECT TITLE :
PLAN SHOWING THE PROPOSED RESIDENTIAL BUILDING AT SITE NO-2, 1ST CROSS, WHEELER ROAD, PULAKESHINAGAR, WARD NO-78, BANGALORE. PID NO.91-64-2.

DRAWING TITLE : 1815203990-13-01-2020
08-34-44\$ _\$40X60

SHEET NO : 1

Block :A (RESI)

Floor Name	Total Built Up Area (Sq.mt.)	Deductions (Area in Sq.mt.)					Proposed FAR Area (Sq.mt.)	Total FAR Area (Sq.mt.)	Tmnt (No.)
		StairCase	Lift	Lift Machine	Void	Parking			
Terrace Floor	15.95	13.70	0.00	2.25	0.00	0.00	0.00	00	
Second Floor	145.16	0.00	2.25	0.00	19.58	0.00	123.33	01	
First Floor	145.16	0.00	2.25	0.00	19.58	0.00	123.33	01	
Ground Floor	145.16	0.00	2.25	0.00	19.58	0.00	123.33	02	
Stilt Floor	145.16	0.00	2.25	0.00	0.00	137.15	0.00	5.76	
Total:	596.59	13.70	9.00	2.25	58.74	137.15	369.99	375.75	
Total Number of Same Blocks	1								
Total:	596.59	13.70	9.00	2.25	58.74	137.15	369.99	375.75	

SCHEDULE OF JOINERY:

BLOCK NAME	NAME	LENGTH	HEIGHT	NOS
A (RESI)	D2	0.76	2.10	12
A (RESI)	D1	0.90	2.10	16
A (RESI)	D	1.06	2.10	04

SCHEDULE OF JOINERY:

BLOCK NAME	NAME	LENGTH	HEIGHT	NOS
A (RESI)	W3	0.90	1.20	12
A (RESI)	W1	1.21	1.20	16
A (RESI)	W	1.80	1.20	24